



AQUARIUS ENGINEERS PVT. LTD.

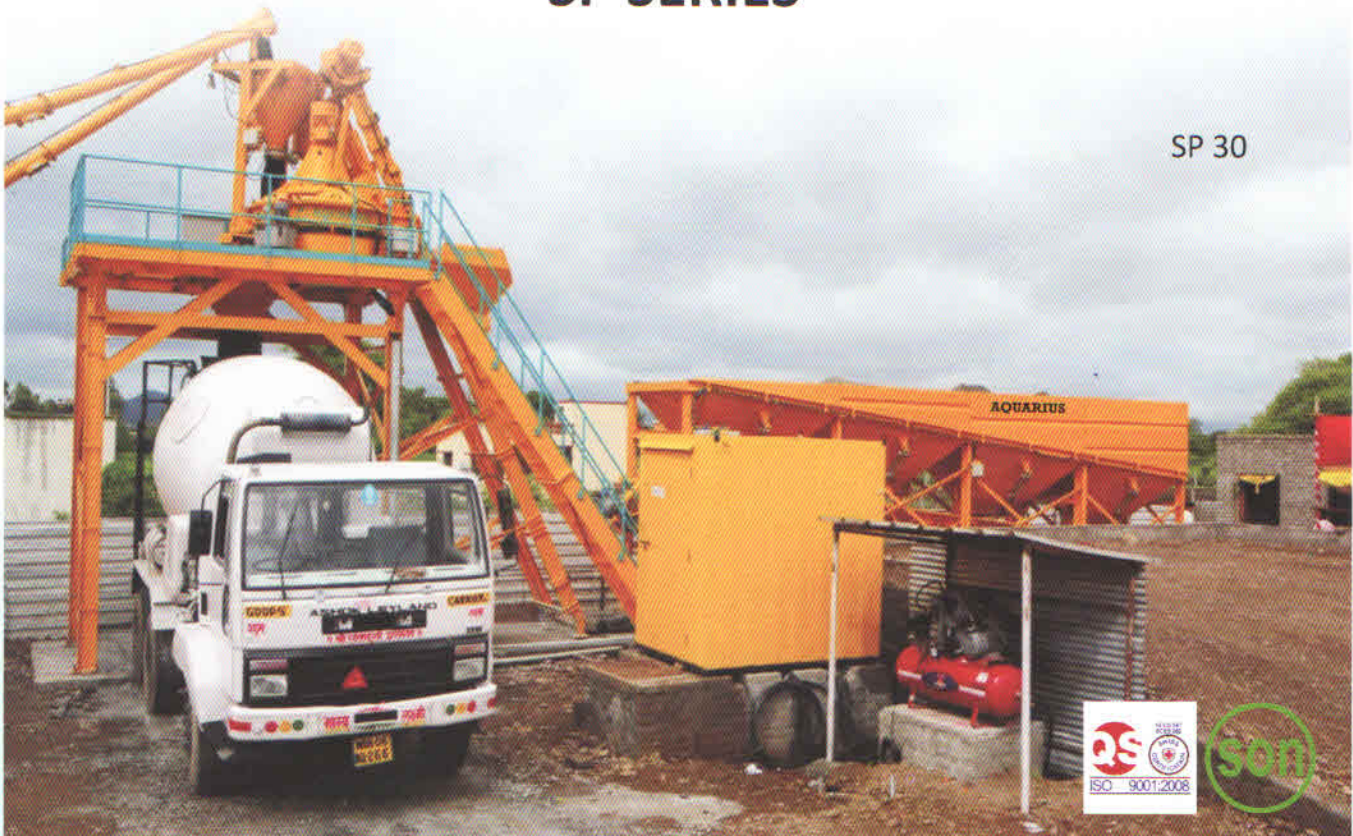
Concrete Pumps, Batching Plants, Boom Pumps

SP 120



STATIONARY CONCRETE BATCHING PLANTS SP SERIES

SP 30



Salient Features:

- ▶ Minimum aggregate loading height
- ▶ Robust structure with corrugated bins
- ▶ Large mixer platform for ease of maintenance
- ▶ Added safety with double wire rope for skip
- ▶ Control cabin included in standard scope
- ▶ Drive through design for increased productivity
- ▶ Special configuration for Ice dosing and Micro silica dosing
- ▶ The Skip Hoist or Belt arrangement option for mixer loading
- ▶ Modular design providing flexibility to adopt to different layout requirements
- ▶ Designed for ready-mix producers, contractors, precast manufacturers and special applications
- ▶ Available with 0.5 cubic meter batch size Planetary Mixer and 1 cubic meter and above Twin Shaft Mixers
- ▶ Available in various capacities ranging from 30 cubic meter to 240 cubic meter per hour of compacted concrete output
- ▶ The Plants are provided with four, five or six in-line Aggregate Bins with an option of total storage capacity from 30 to 250 cubic meter, based on plant size
- ▶ Deliver consistent quality concrete and are most preferred in the RMC industry
- ▶ Specially designed plants for dam projects, hollow core precast and concrete block producers
- ▶ High precision load cells for independent electronic weighing of cement, aggregates & water with digital display
- ▶ Two-level PLC based control system with real-time SCADA for control and data management, RT - MATIC PLUS / RT - SMART

SP 90 Precast



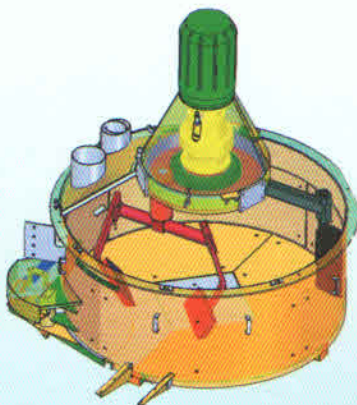


Technical Specifications:

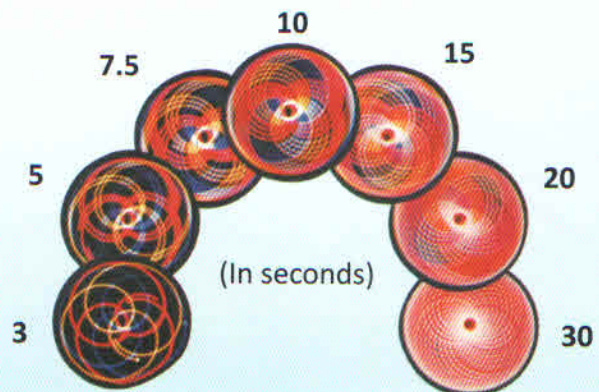
Model Specifications	Unit	SP 30	SP 60	SP 70	SP 90	SP 100	SP 120
Type of Mixer	-	Planetary	Twin Shaft	Twin Shaft	Twin Shaft	Twin Shaft	Twin Shaft
Dry Fill Capacity of Mixer	l	750	1500	1800	3000	3380	4500
Compacted Output per Batch	l	500	1000	1250	2000	2250	3000
Max. No. of Aggregates	no.	4	4/5/6	4/5/6	4/5/6	4/5/6	4/5/6
Storage Capacity of Aggregate	m ³	30	40	40 to 250	70 to 250	70 to 250	70 to 250
Max. No. of Cement / Fly Ash	no.	4	4	4	4	4	4
Max. No. of Water	no.	2	2	2	2	2	2
Max. No. of Additives	no.	2	3	4	4	4	4
Aggregate Loading in Mixer	-	Skip Hoist/Belt	Skip Hoist/Belt	Skip Hoist / Belt	Conveyor Belt	Conveyor Belt	Conveyor Belt
Connected Load#	kW	52	88	90	145	160	195
D.G. Set Required	kVA	62.5	125	150	250	250	320

Standard Configuration

Planetary Mixer



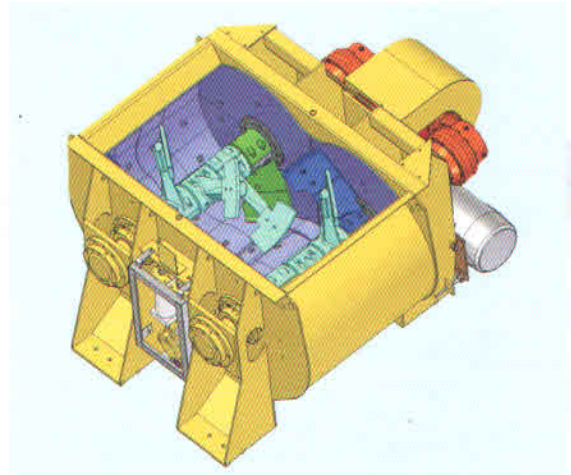
Planetary Mixing Action



Control System:

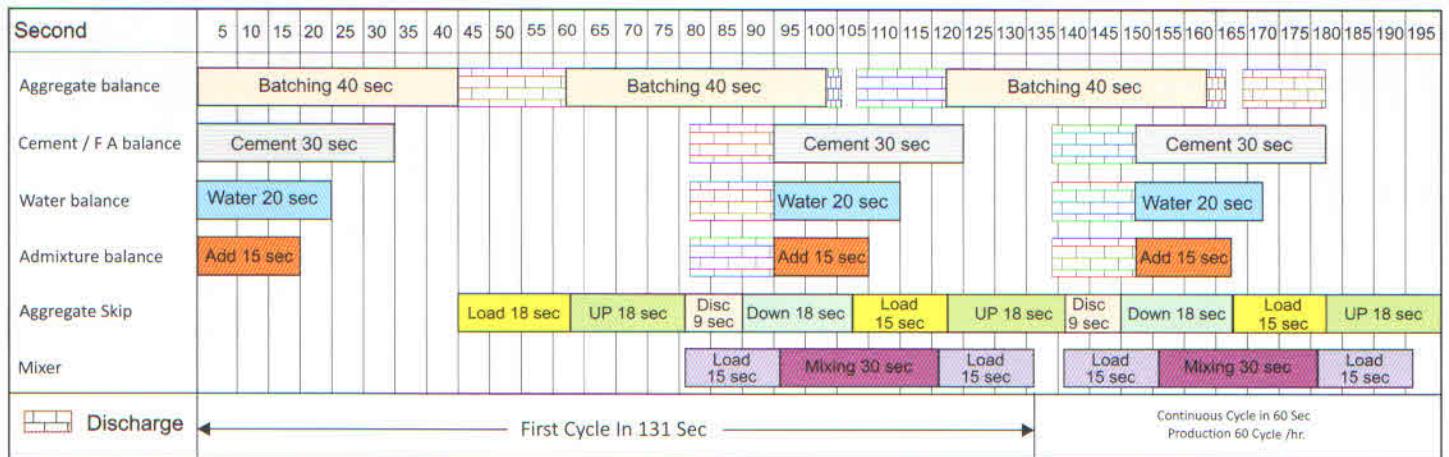
- ▶ SCADA based control systems, customized to the requirements of various segments
- ▶ Features like auto-in-flight, stock maintenance, on screen diagnosis, production data handling, automatic delivery challan and cycle data printing, etc.
- ▶ The systems are designed based on all feedbacks and requirements from various operation levels
- ▶ Computer provided as a part of standard scope

Twin Shaft Mixer



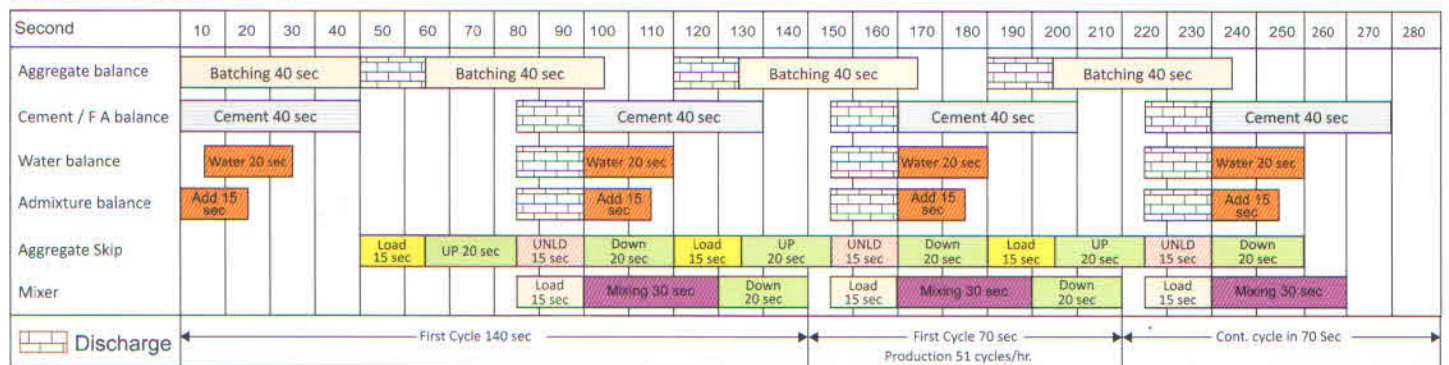
Cycle Time Charts:

Stationary Plant: SP 30



NOTE: Production capacity based on 0.5 m³ cycles of standard concrete with 4 aggregates, 1 cement, 1 water, 1 admixture; slump 7-13 cms.

Stationary Plant: SP 60



NOTE: Production Capacity based on 1 m³ cycles of standard concrete with 4 aggregates (Max. 2000 kg/m³), 1 Cement (Max. 300 kg/m³), 1 water (Max. 160 kg/m³) & 1 admixture (Max. 4 kg/m³), 30 sec mixing time, 20 sec discharge time normal slump 70 - 130 mm.

Performance of equipment is based on standard working conditions. Design / Specifications can be changed without prior notice.



AQUARIUS ENGINEERS PVT. LTD.

Concrete Pumps, Batching Plants, Boom Pumps

'Aquarius House', Sheelavihar Colony, Off Karve Road,
Pune 411 038. INDIA Tel.: +91 20 2544 5227 Fax: +91 20 2544 5228
E-mail: enquires@aquariusengineers.biz
Web: www.aquariusengineers.biz

Works: S. No. 480,481 & 482, Ambadwet, Tal. Mulshi, Dist. Pune - 412 108

Local Contact: